

URBANBEES

Instructions – Nesting Wall

HÔTEL Bee hotel model with 3 boxes



Contents

- List of parts and labelled drawing
- Overall designs
- Lumber and quantities
- Building the sides
- Building the boxes
- Building the base (optional)
- Assembly

It should be noted that the materials and dimensions used here are given as a rough indication only. Urbanbees can under no circumstances be held responsible for any damage or accidents caused by the building or assembly of any of the parts described in these instructions.



NOMENCLATURE



Structure

- 01.1 Uprights (to maintain stability)
- 01.2 Base feet (to stabilize the base of the structure)
- 01.3 Rafters (to provide the supporting structure for the roof)
- 01.4 Reinforcing struts (to stabilize the roof)

Connections

- 02.1 Upper crosspiece (to align the sides of the structure)
- 02.2 Lower crosspiece (to align the sides of the structure)
- 02.3 Mid-level crosspieces (to hold the boxes in place)

Roofing

- 03.1 Wooden roof planks
- 03.2 Lintels (framework for fixing the planks)

Boxes

- 04.1 Boxes

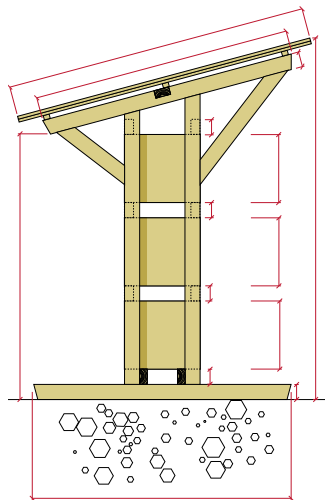


URBANBEES

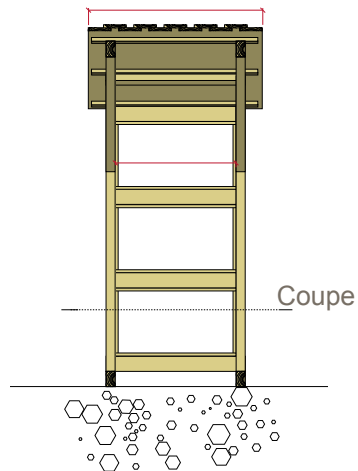
Instructions – Nesting Wall

PLANS

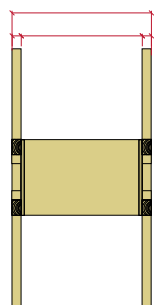
Plans de principes - Ech : 1/50e - Cot. : cm



Side view



Front view



Top view

LUMBER AND QUANTITIES

For the 2 sides

Overall dimensions (Larch wood section: 10 cm x 6 cm)

- 01.1	2	181 cm et 192 cm
- 01.2 :	2	170 cm
- 01.3 :	2	170 cm
- 01.4 :	2	57 cm et 95 cm.
- Crosshead screws	env. 20p	ø 6 / 140 mm

For the connections and roofing parts

Overall dimensions (Larch wood or pinewood / section: 10 cm x 6 cm, except *)

- 02.1	1	92 cm
- 02.2	2	92 cm
- 02.3	6	80 cm
- 03.1* (sect.: 2 cm x 20 cm)	11p	190 cm.
- 03.2* (sect.: 3 cm x 4 cm)	3	100 cm.
- Crosshead screws	env. 60 p	ø 6 / 80 mm
- Flathead nails	env. 70p	L : 60 mm

For 3 Boxes

Overall dimensions (Pinewood / thickness of the sides: 2 cm, and section of battens: 3 cm x 4 cm).

- Upper side, lower side	6	80 cm x 50 cm
- Right side, left side	6	41 cm x 50 cm
- Upper and lower battens	12	80 cm
- Right and left battens	12	51 cm
- Crosshead screws	env. 60 p	ø 4 / 40 mm

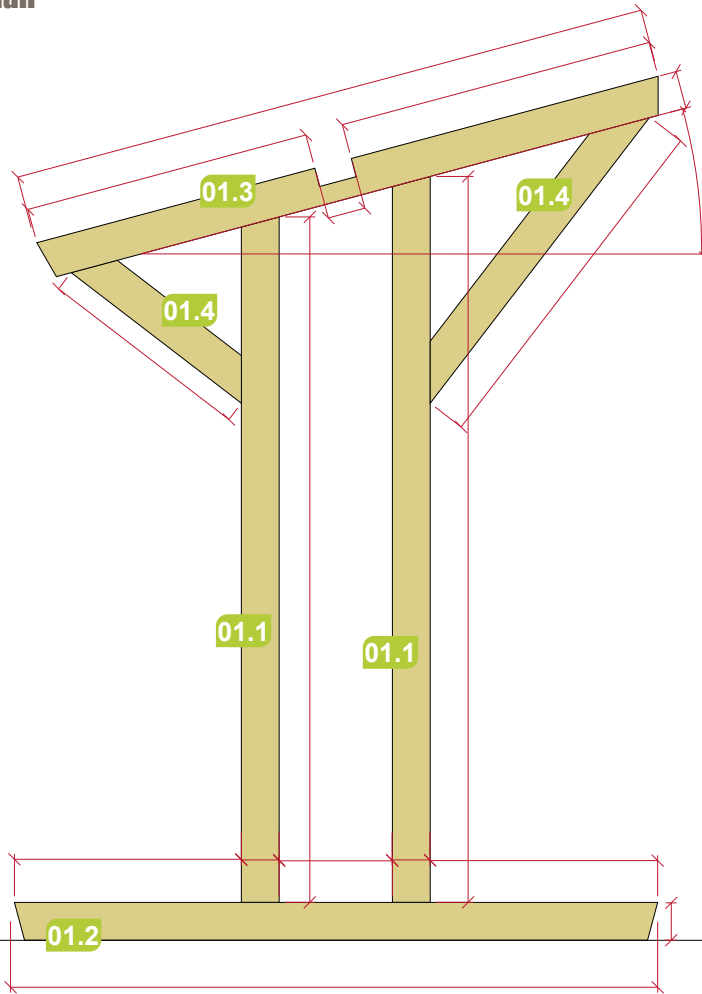


URBANBEES

Instructions – Nesting Wall

Building (SIDES) - 01

Plan



Building (SIDES) - 02

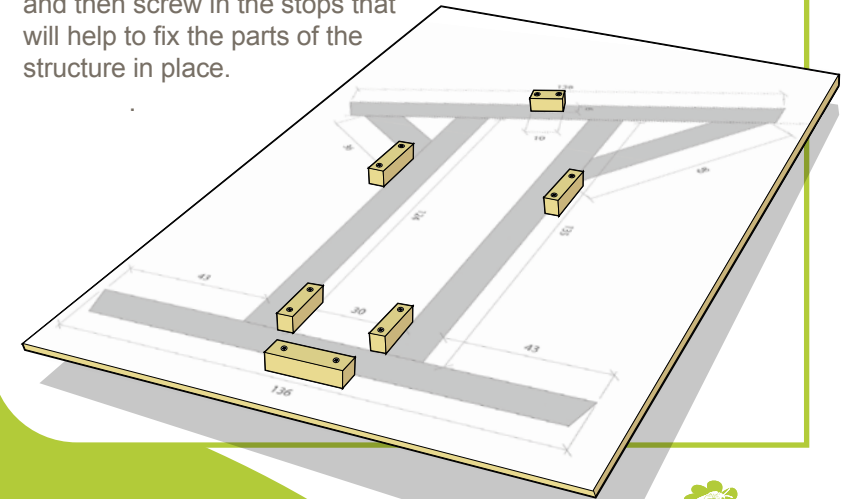
Building the sides of the structure

One structure is made up of two identical sides. Each side is made up of one base foot (01.2) and a rafter (01.3), connected by two uprights (labelled 01.1). These parts are screwed together. Two reinforcing struts (01.4) resist the compression applied by the roof. The structure can be made out of untreated larch wood.



Creating a template

To ensure that you produce identical sides and sections cut to the right angles, it is best to use a full-scale working drawing. Stick the sketch onto a plywood panel, and then screw in the stops that will help to fix the parts of the structure in place.



URBANBEES

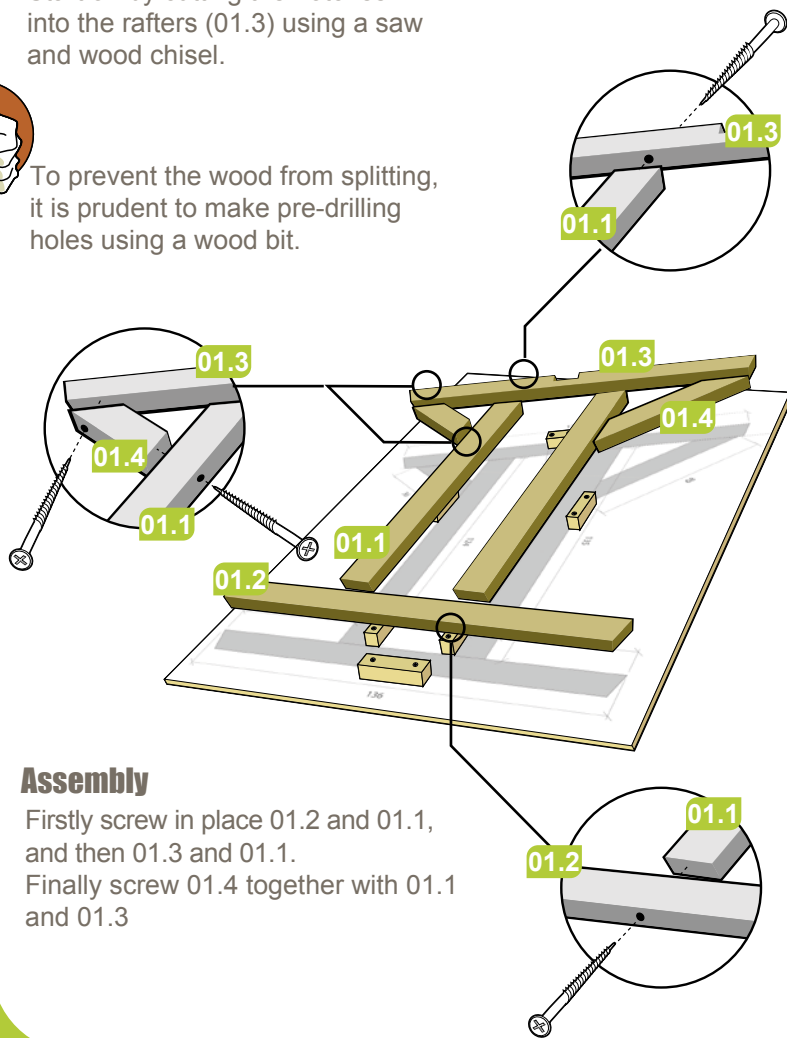
Instructions – Nesting Wall

BUILDING (sides) - 03

Assembly

Start off by cutting the notches into the rafters (01.3) using a saw and wood chisel.

To prevent the wood from splitting, it is prudent to make pre-drilling holes using a wood bit.



Assembly

Firstly screw in place 01.2 and 01.1, and then 01.3 and 01.1. Finally screw 01.4 together with 01.1 and 01.3

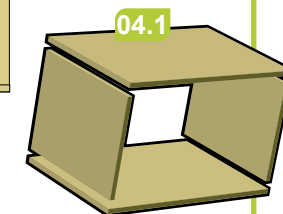
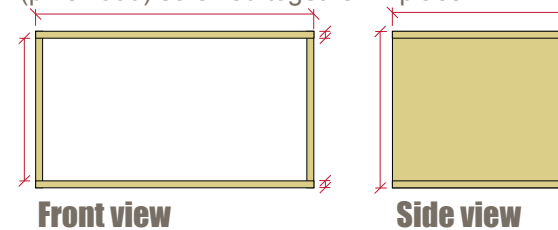


BUILDING (boxes) - 01

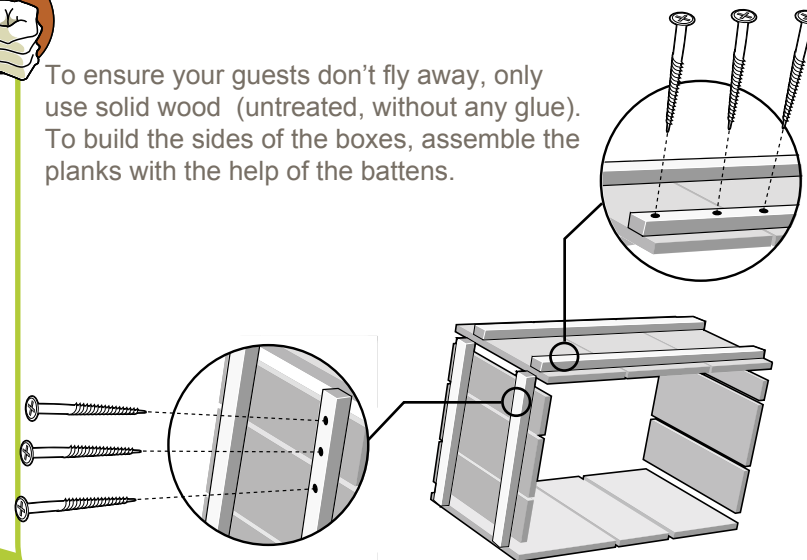
Building the boxes

The bee hotel presented in these instructions is designed for 3 boxes.

One box (04.1) is made up of four solid wood sides (pinewood) screwed together in place.



To ensure your guests don't fly away, only use solid wood (untreated, without any glue). To build the sides of the boxes, assemble the planks with the help of the battens.



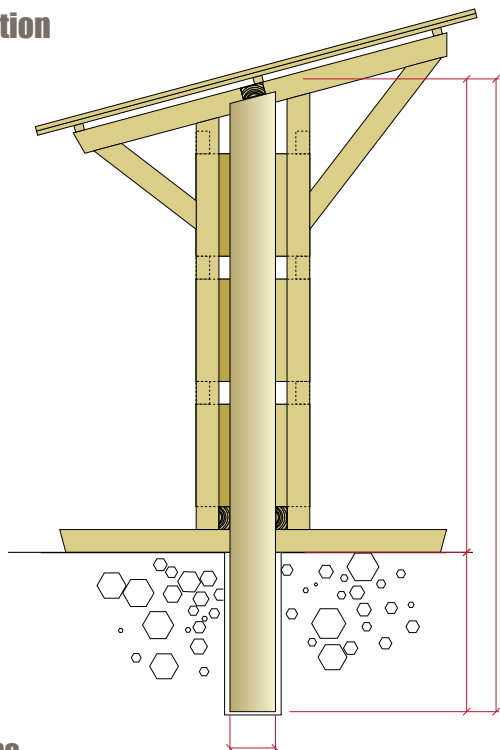
URBANBEES

Instructions – Nesting Wall

The bee hotel can be planted into the ground by attaching each side to a timber pillar or a chestnut stump cut in half down its length. Each base pillar is inserted into a hole that has been previously drilled using an auger.

OPTION **Pillar** model with 3 boxes

Side elevation

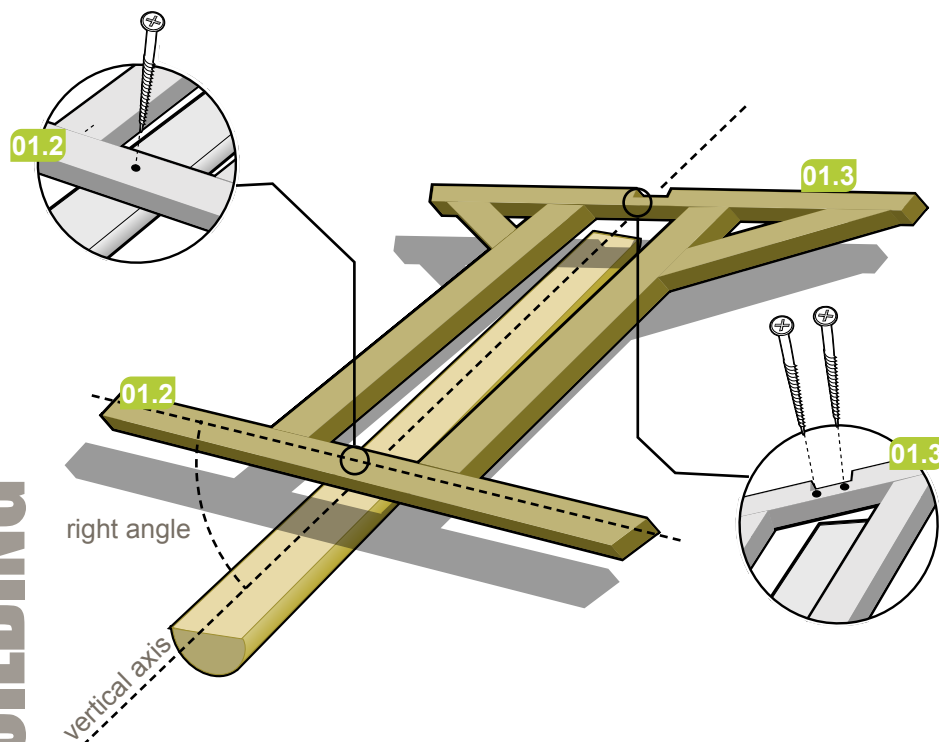


Dimensions

Overall dimensions; (section: max 20 cm x 10 cm)

Name	nb.	dim.
Pillars	2	278 cm
Crosshead screws	6	ø6 / 100 mm

BUILDING



Assembly

The vertical axis of the base pillar must be positioned halfway along the length of the base foot (01.2), and at a perpendicular angle.

Screw the base foot (01.2) onto the pillar, ensuring that the pillar protrudes by 70 cm.

Screw the rafter (01.3) onto the pillar, ensuring that the pillar interlocks with the notch on the rafter.



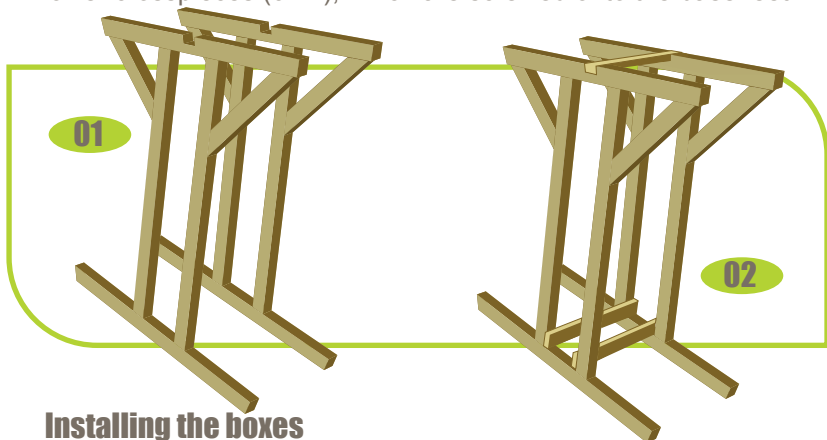
URBANBEES

Instructions – Nesting Wall

Connecting the sides of the structure

01 Place the two sides in position, standing vertically on the installation site.

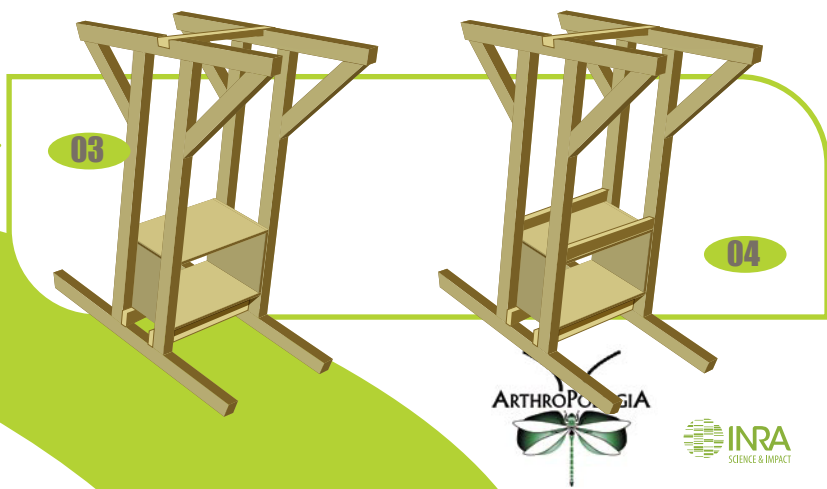
02 Fix the sides together using the upper crosspiece (02.1), which is screwed into the notches in the rafters, and the two lower crosspieces (02.2), which are screwed onto the base feet.



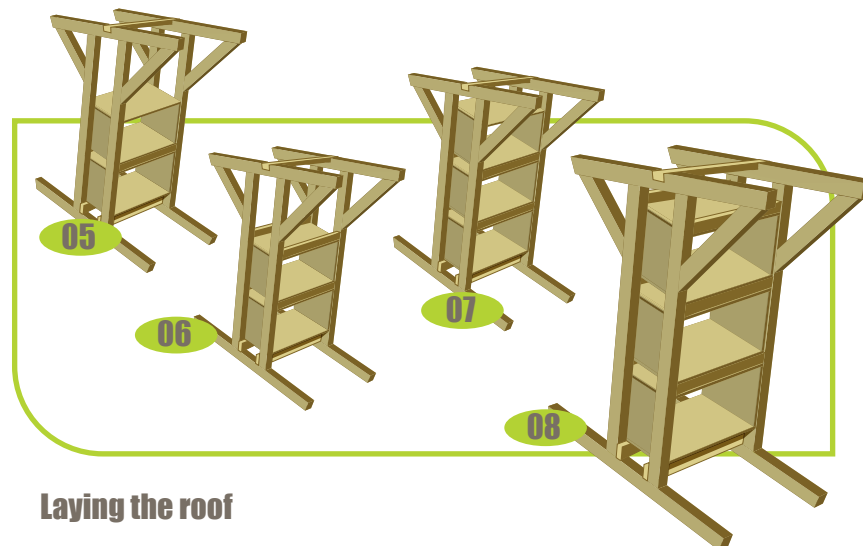
Installing the boxes

03 One box (04.1) is placed onto the two lower crosspieces (02.2) and then screwed into the structure's uprights from the interior.

04 Two mid-level crosspieces (02.3) are placed on top of this box and screwed into the uprights from the exterior.



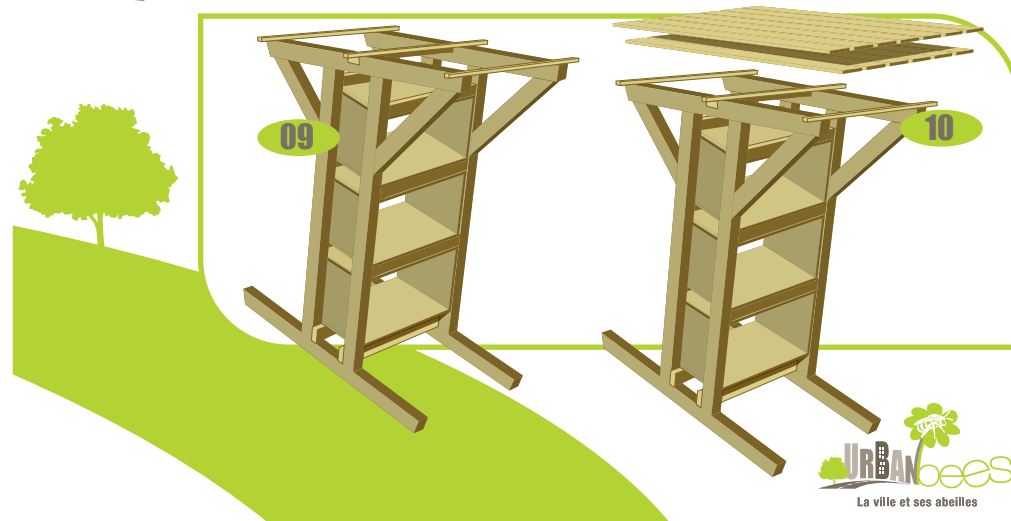
05, 06, 07 and 08 Repeat steps 03 and 04 for the second and third box, as well as for the two pairs of mid-level crosspieces.



Laying the roof

09 The three lintels (03.2) are screwed onto the two rafters.

10 Nail the roof planks (03.1) onto the lintels (03.2) to create two layers; Leave around 5 cm between each plank.



ASSEMBLY 01

ASSEMBLY 02

